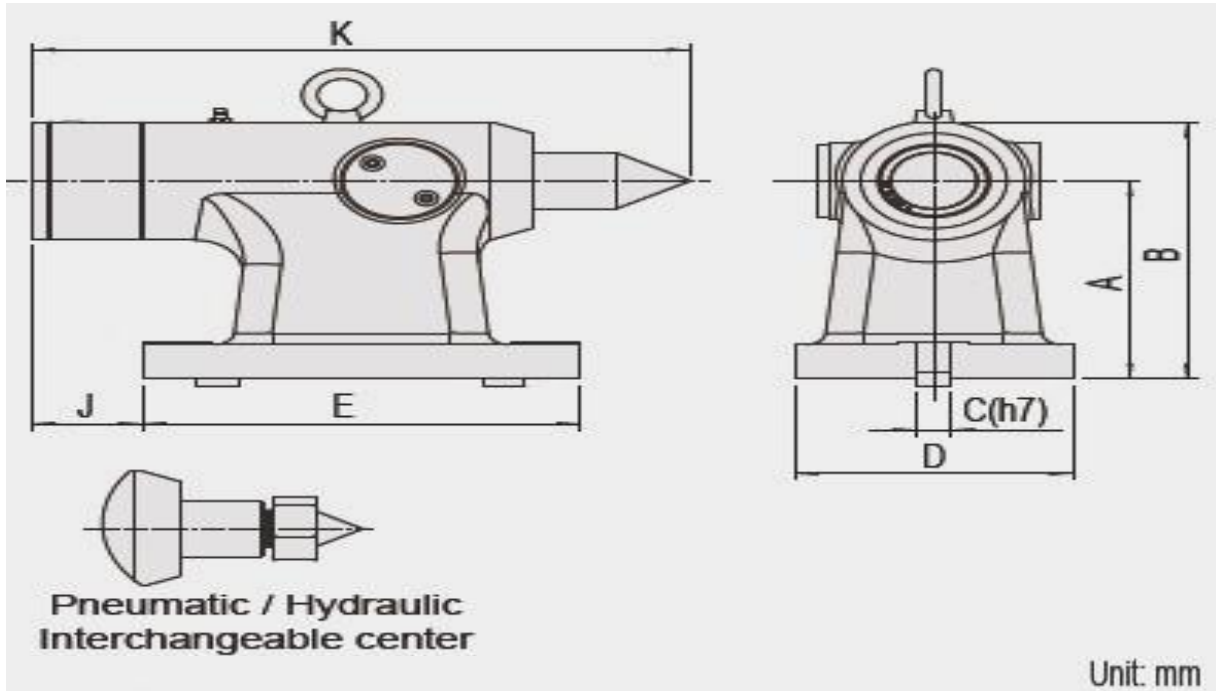


ACCURATE TAIL STOCK

CENTER TYPE TAILSTOCK - PNEUMATIC / HYDRAULIC TYPE - SUTTA / SUTTH

PRODUCT INFORMATION:



Model	A	B	C	D	E	J	K (Max.)	Travel	Weight(kg)
SUTTA-125 SUTTH-125	110	157	14	122	215	58	346 / 361	50	20
SUTTA-170 SUTTH-170	135	182	18	146	230	58	357 / 372	50	23
SUTTA-255 SUTTH-255	160	207	18	146	230	58	357 / 372	50	24
SUTTA-320 SUTTH-320	210	257	18	146	230	58	357 / 372	50	26
SUTTA-400 SUTTH-400	255	310	18	160	270	120	490 / 506	60	56