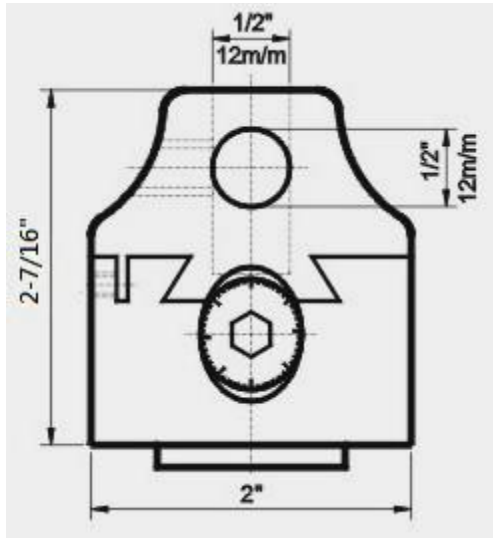


BORING HEAD BC2



Feature :

Ø Here is a small boring head that will be in constant demand in any shop. Note the wide base bearing surface that assures maximum rigidity even when the bar holder is in an off-set position. This wide base design is a recent criterion. Innovation that increases bearing surfaces by 50% over the older models.

Ø A choice of 1/2" double hole bar holder with a 1/2" cross hole is available. The unit has a 7/8-20 threaded back and also features a direct reading dial screw.

Ø Feeding quantity cutter of every scale of 0.005mm

Ø Maxi boring diameter 180mm

MODEL	ACTUAL SIZE	OVERALL LENGTH	BORING BAR HOLE SIZE	CENTER DIST BETWEEN HOLES	CROSS HOLEDI A	OFFSE T	N.W. (KG)
BC2 inch	2"	2-7/16"	1/2"	5/8"	1/2"	5/8"	0.5
BC2 mm	50	62	12	15	12	15	0.5