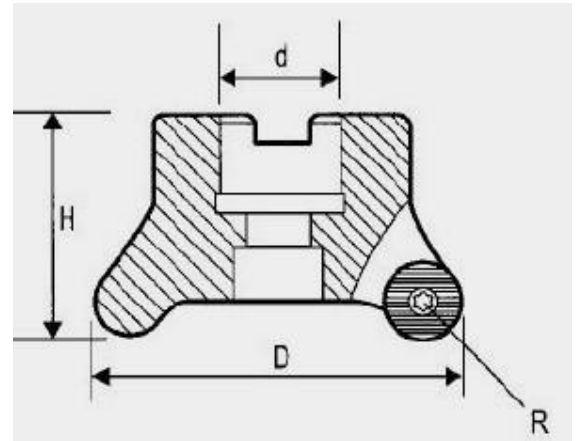


RADIUS FACE MILLING CUTTER CRS

Specifications:

MODEL	SPECIFICATION mm		
	D	d (inch)	d (mm)
CRS-5R50	50	25.4	22
CRS-5R63	63	25.4	22
CRS-6R50	50	-	22
CRS-6R63	63	25.4	22
CRS-8R50	50	-	22
CRS-8R63	63	25.4	22
CRS-8R66	66	25.4	27
CRS-8R80	80	25.4	27
CRS-8R100	100	31.75	32
CRS-8R116	116	31.75	32



MODEL	INSERT	SCREW	CLAMP	CLAMP SCR.	WRENCH
CRS-5R50	RDMT10T3	SCR-CRS4	CL-5R	SCR-CRS3.5	T15
CRS-5R63					
CRS-6R50	RDMT1204MOTN	SCR-CRS4L	CL-6R	SCR-CRS5	T20
CRS-6R63					
CRS-8R50	RDMT1604	SCR-CRS5	CL-8R	SCR-W1/4S	T20
CRS-8R63			-		
CRS-8R66					
CRS-8R80					
CRS-8R100					
CRS-8R116			CL-8R116H	SCR-CRS6	

8 | 60 | 6