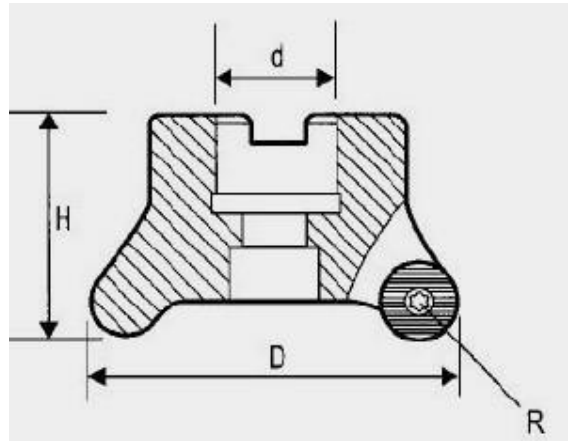


RADIUS FACE MILLING CUTTER CRT

Specifications:

MODEL	SPECIFICATION mm		
	D	d (inch)	d
CRT-6R50	50	-	
CRT-6R63	63	25.4	
CRT-6R80	80	25.4	
CRT-6R100	100	31.75	



MODEL	INSERT	SCREW	CLAMP
CRT-6R50	RPMT		
CRT-6R63	1240MO	SCR-CRT4	CL-CRT
CRT-6R80			
CRT-6R100			

SCR-CRT3.5	T15
------------	-----